

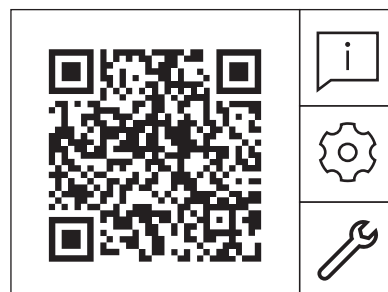
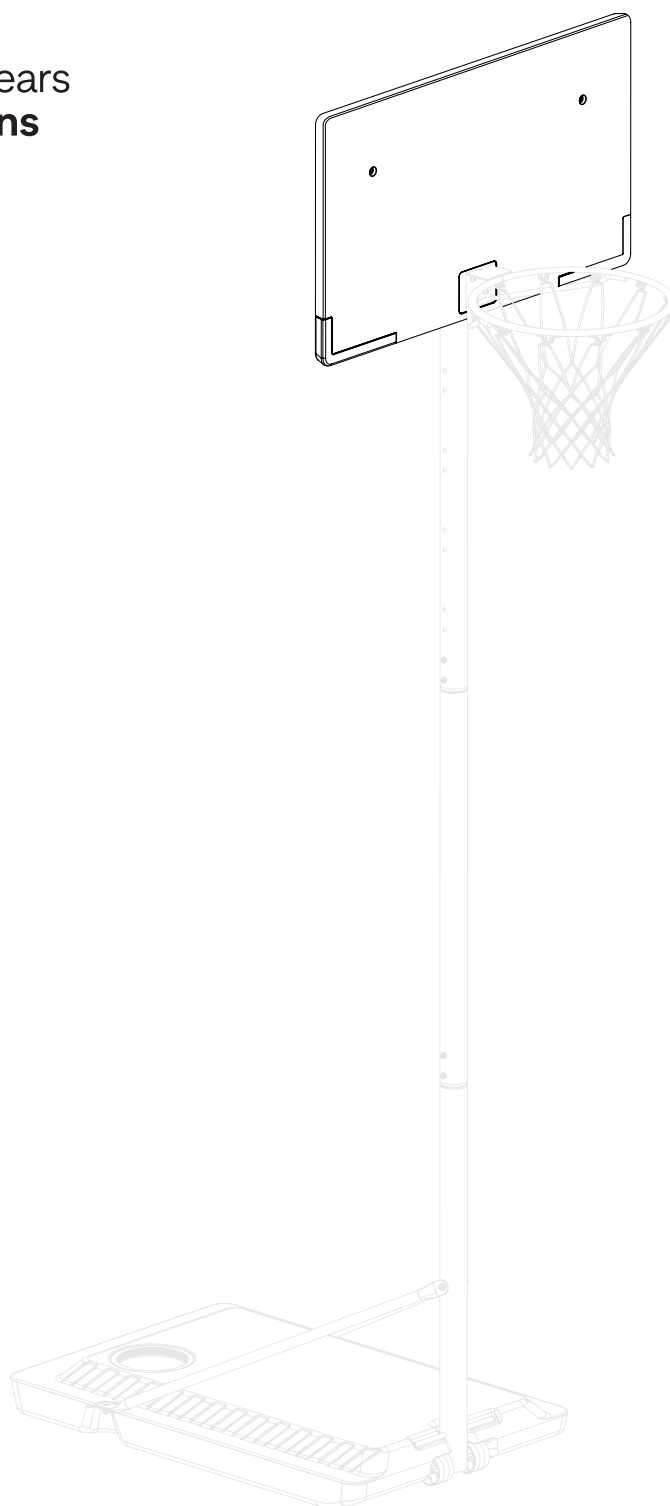
KIPSTA

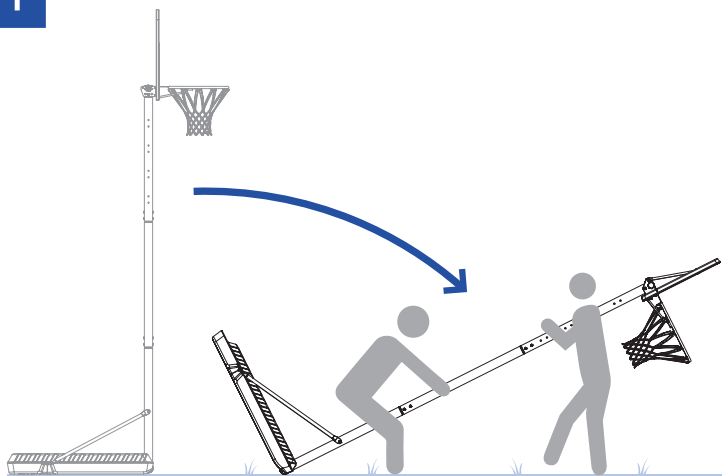
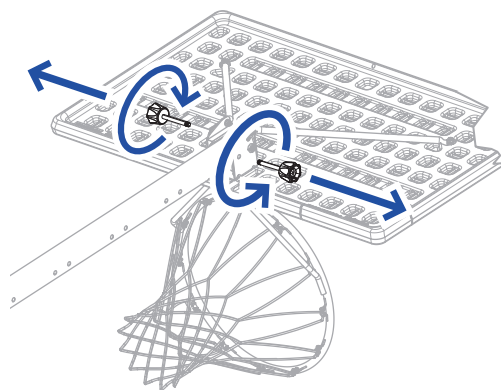
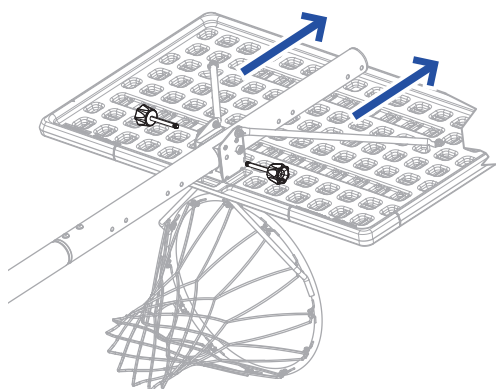
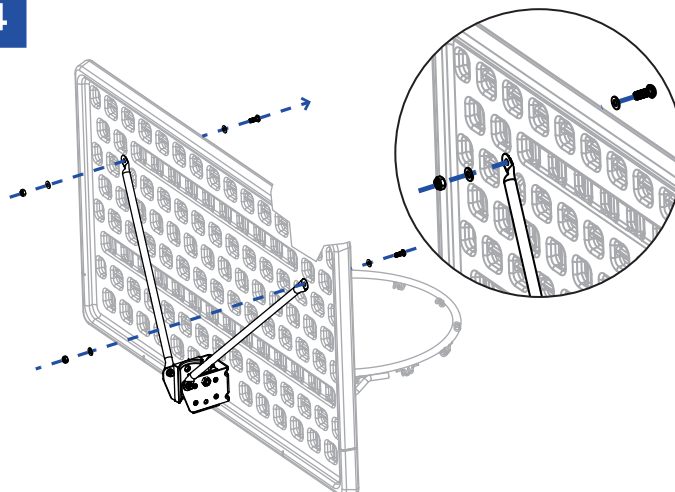
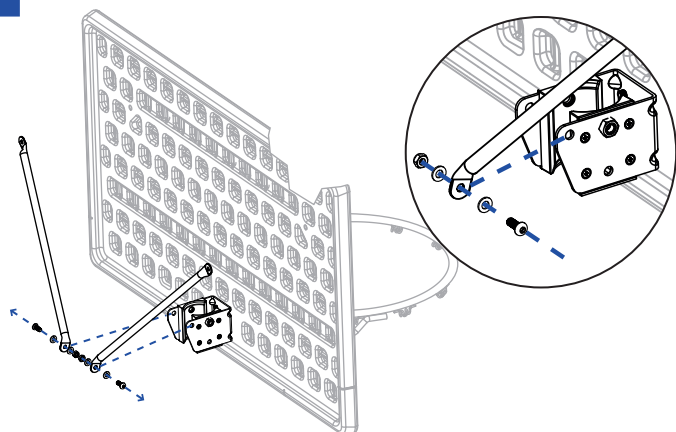
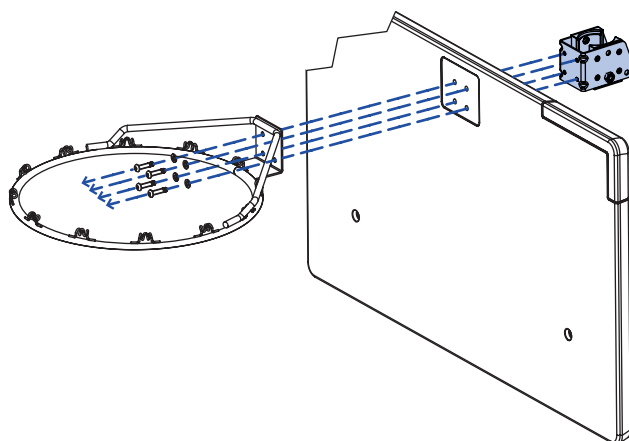
Board Planche

Keep these instructions for future use
Notice à conserver

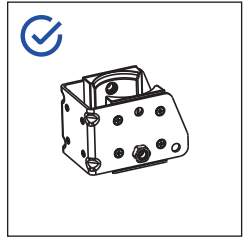
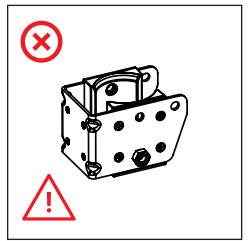
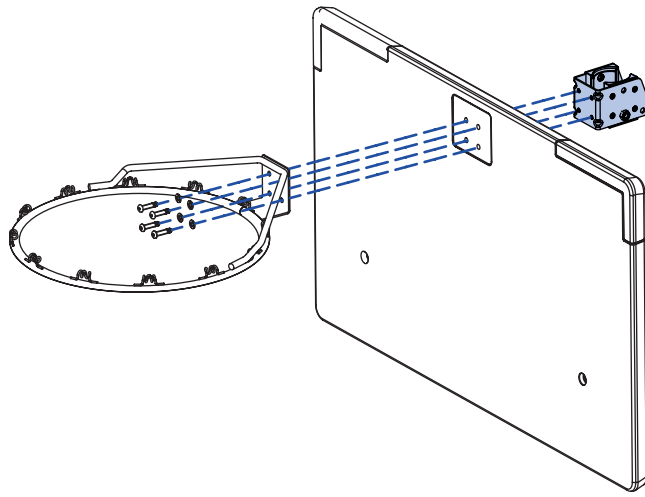
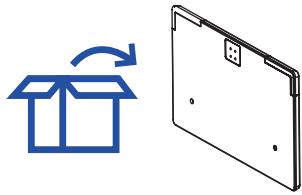
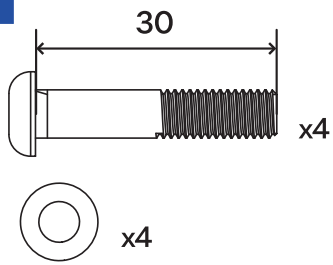


Warranty 5 years
Garantie 5 ans

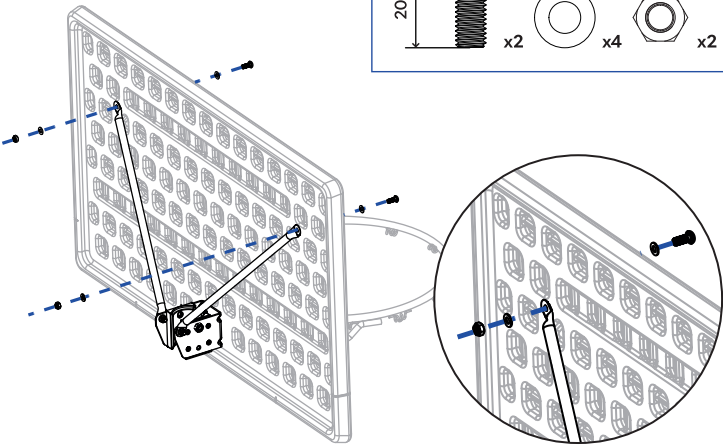


1**2****3****4****5****6**

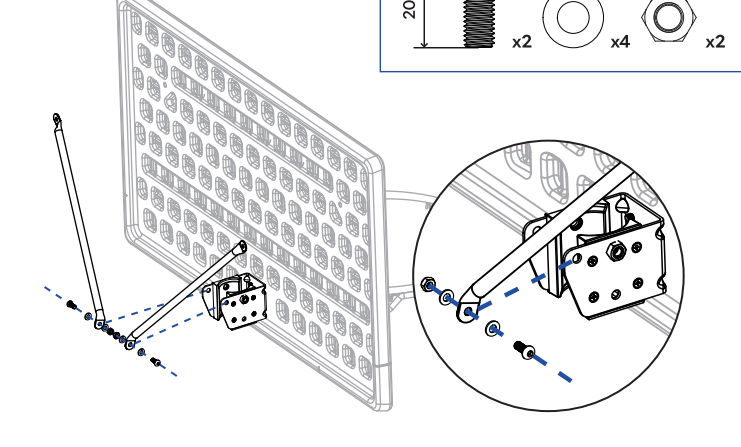
1



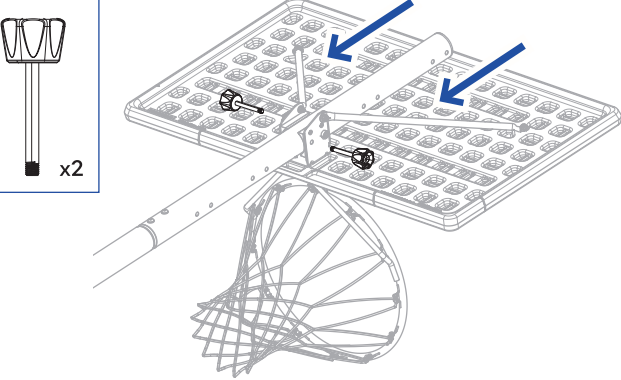
2



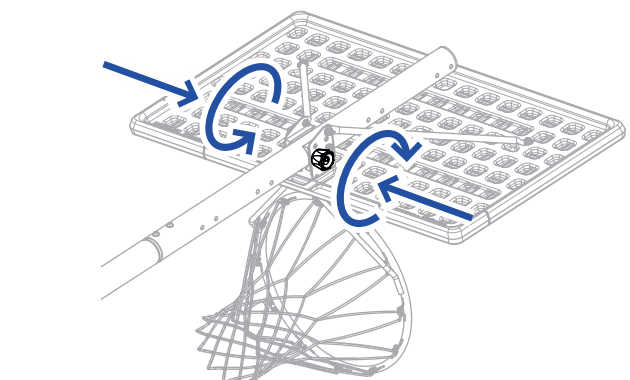
3



4



5



6

