



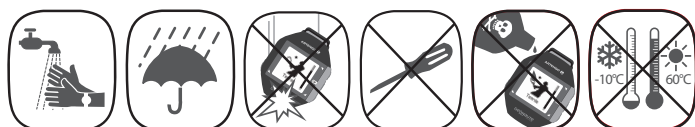
**TW
PERSONAL
COACH**

www.artengo.com

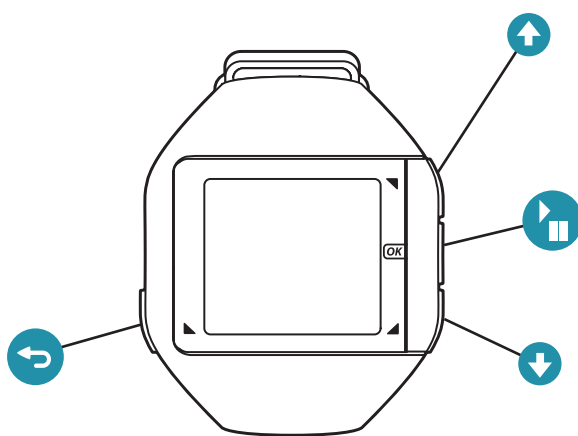
oxylane

OXYLANE
4 Boulevard de Mons - BP299
59665 Villeneuve d'Ascq Cedex - France

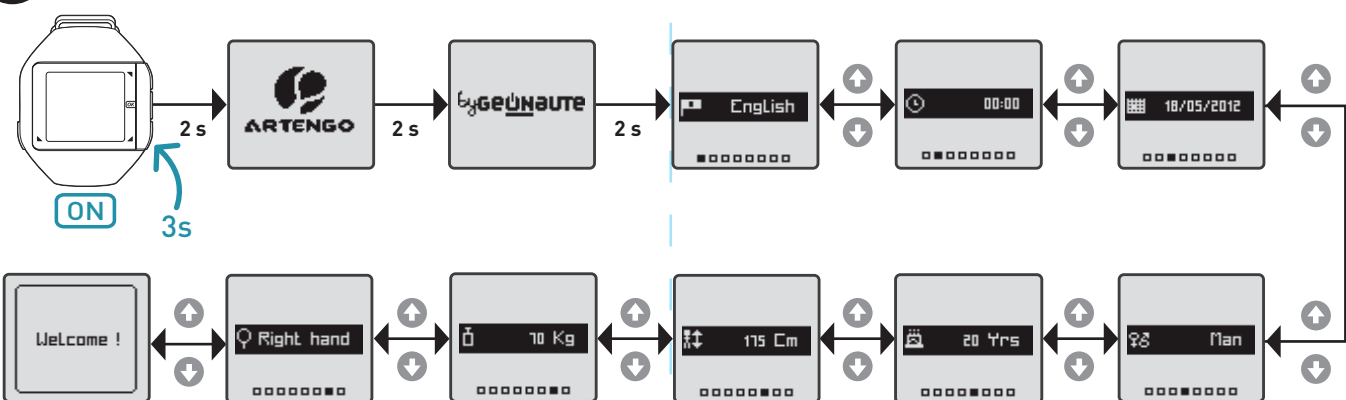
Garantie 2 ans



réf. notice : xxxx.xxx



1 FIRST SETTINGS / First settings / First settings / First settings / First settings / First settings / First settings / First settings / First settings / First settings / First settings / First settings / First settings / First settings / First settings /



2

