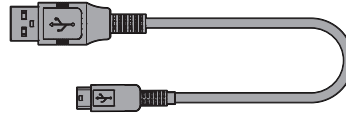


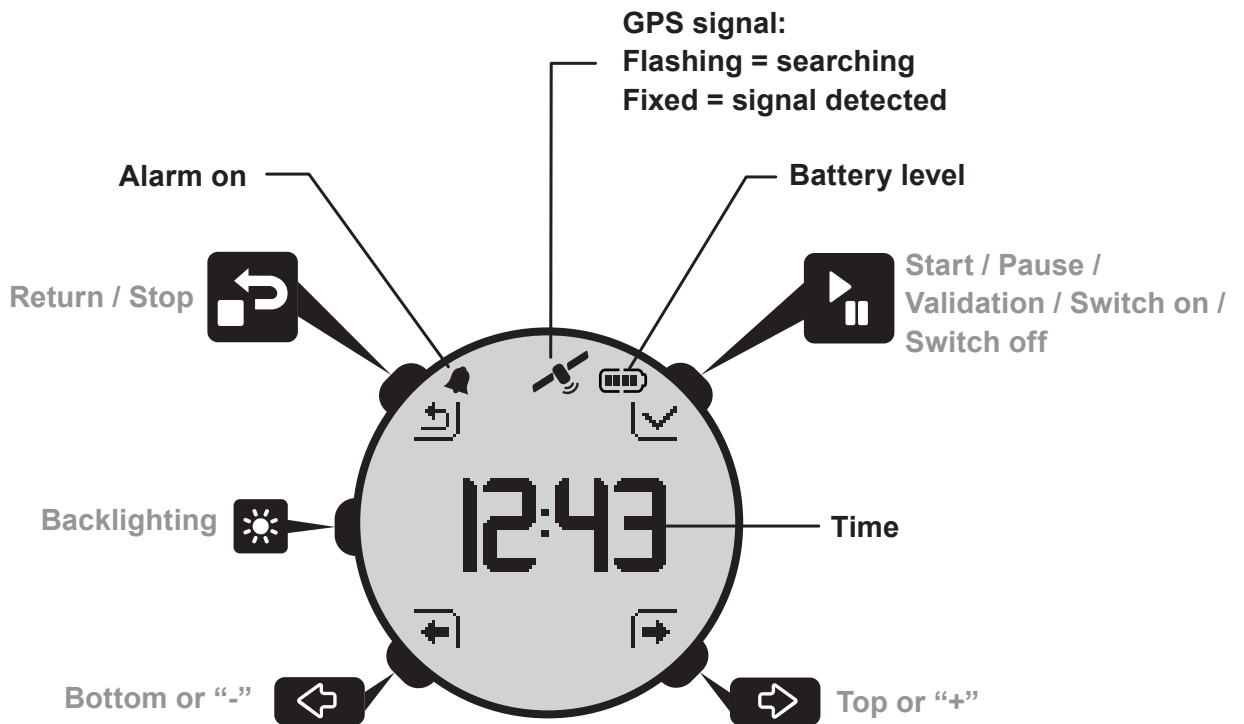
**TABLE OF CONTENTS**

1	SETTINGS	3
1.1	Intuitive guide.....	3
1.2	Setting the device for the first time.....	3
1.3	Access to Settings mode.....	4
1.4	General settings.....	5
1.5	User parameters.....	7
1.6	Target zone parameters.....	8
1.7	Display parameters.....	9
1.8	About.....	10
2	USE	11
2.1	Charging.....	11
2.2	Watch mode.....	11
2.3	Activity mode "Free".....	11
2.4	Switching off the ONmove 120.....	14
3	LOGBOOK	15
3.1	Session logbook.....	15
3.2	Deleting a session.....	15
3.3	Deleting the memory.....	16
3.4	Memory status.....	16
4	MESSAGES	16
4.1	GPS signal lost.....	16
4.2	Battery level.....	17
4.3	Memory full.....	17
5	CHARGING THE BATTERY	18
6	TRANSFERRING AND VIEWING YOUR DATA ON "DECATHLON COACH"	18
7	TECHNICAL CHARACTERISTICS	19
8	CONTACT US	19
9	PRECAUTIONS FOR USE	19
10	LEGAL NOTICES	19
10.1	EC declaration of conformity.....	19
10.2	Recycling.....	19



USB cable to:

- Recharge the battery,
- Transfer your activities to deathloncoach.com

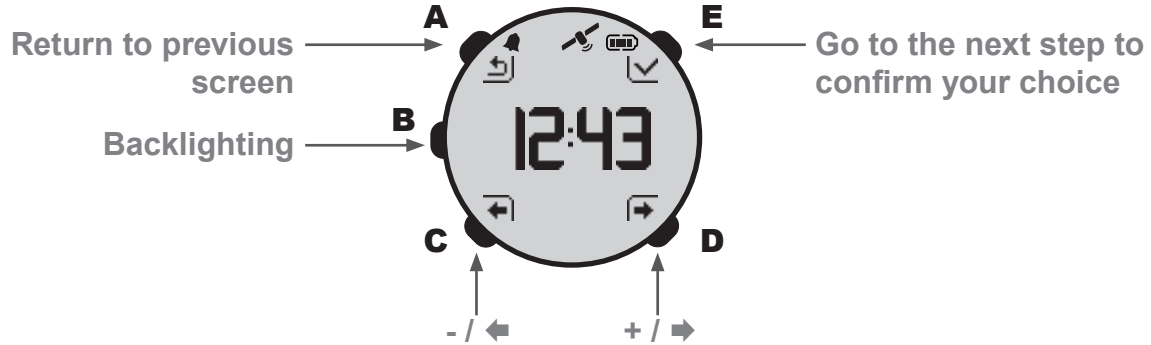



1 SETTINGS


1.1 Intuitive guide

Adjustment method for each setting:

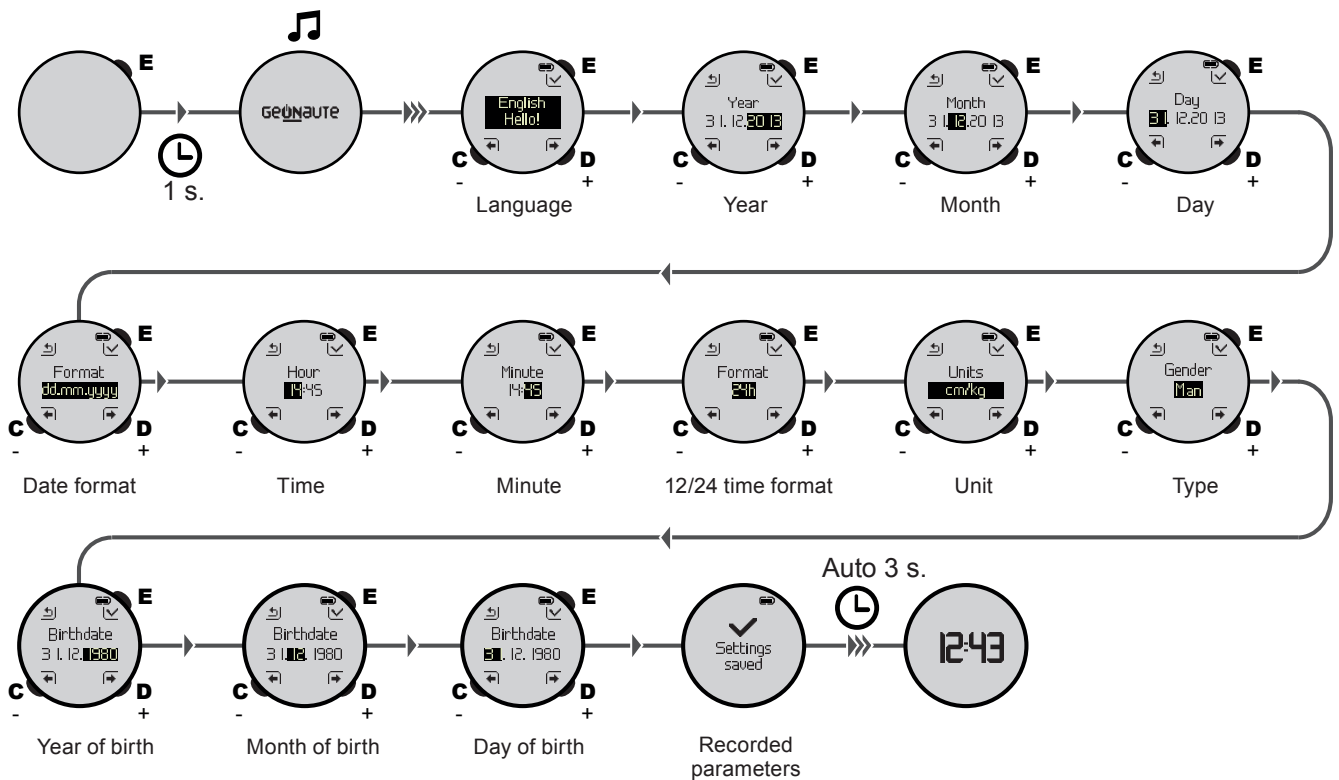
For every setting, use the **C** and **D** buttons to adjust the values



The settings marked  allow fast scrolling through the values when pressing and holding the **E** button

Certain settings or displays cause a beep represented by the  icon.

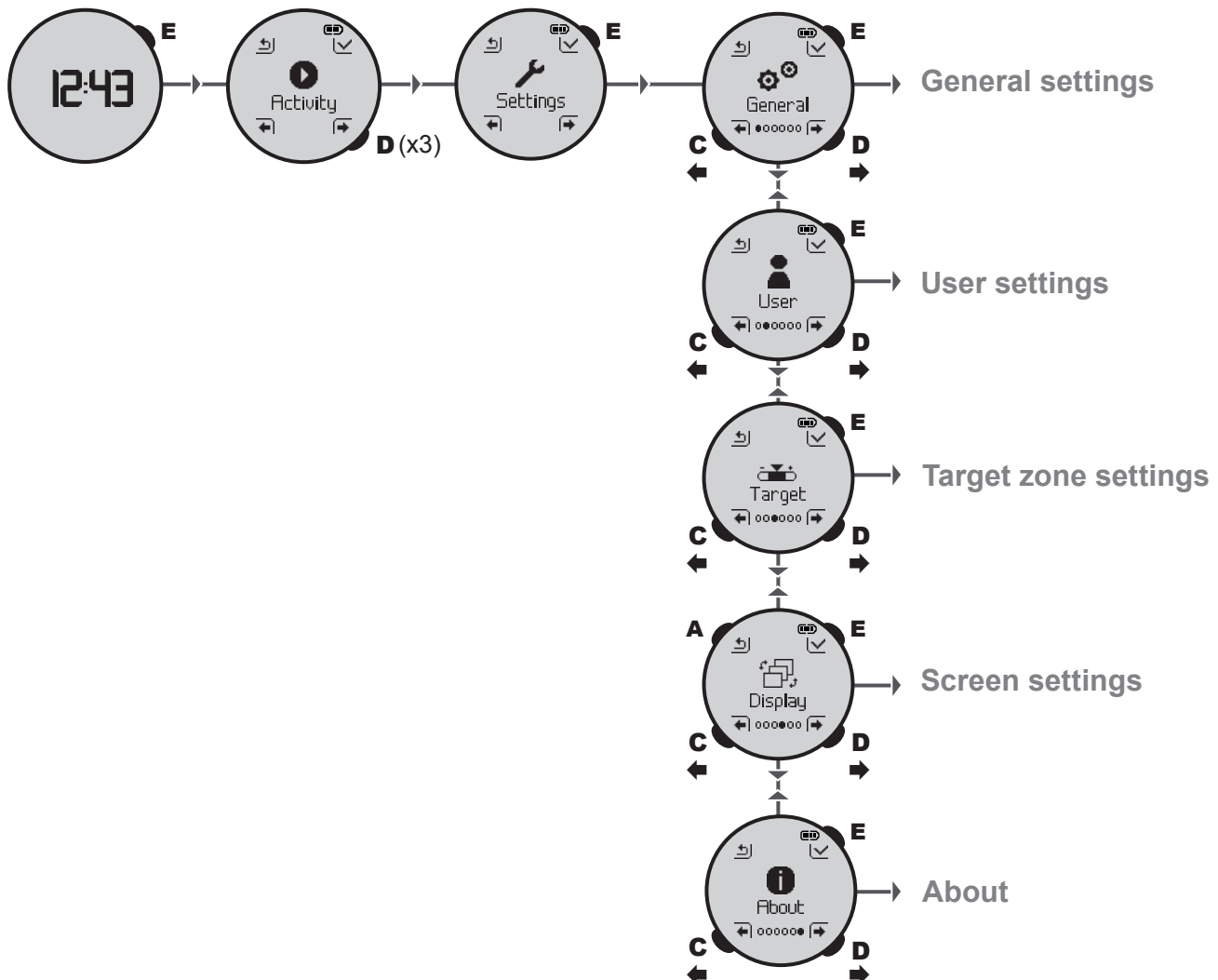
1.2 Setting the device for the first time



1.3 Access to Settings mode

This menu gives you access to the different settings of your ONmove 120:

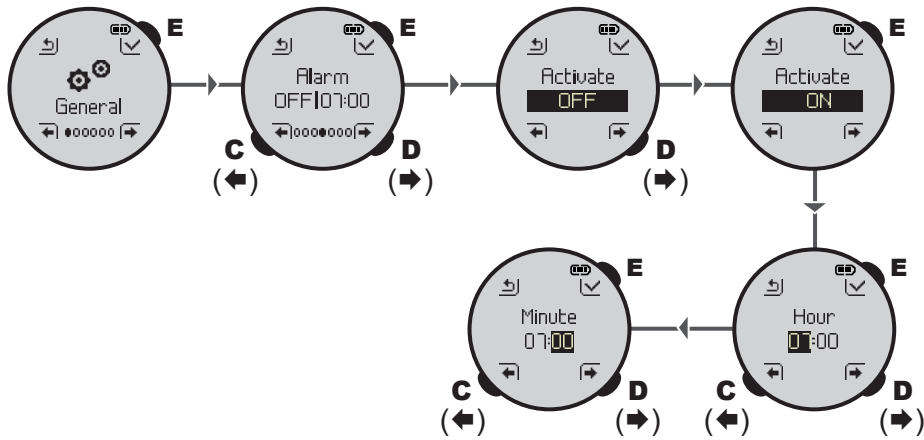
- General settings.
 - User settings.
 - Target zones.
 - Screen customisation.
- In watch mode, press **E** to access the main menu.
Browse the menus using the **C** (←) and **D** (→) keys until you reach the "Settings" mode.
 - Press **E** once again to enter the "Settings" menu.
 - Press **A** to return to the previous menu.



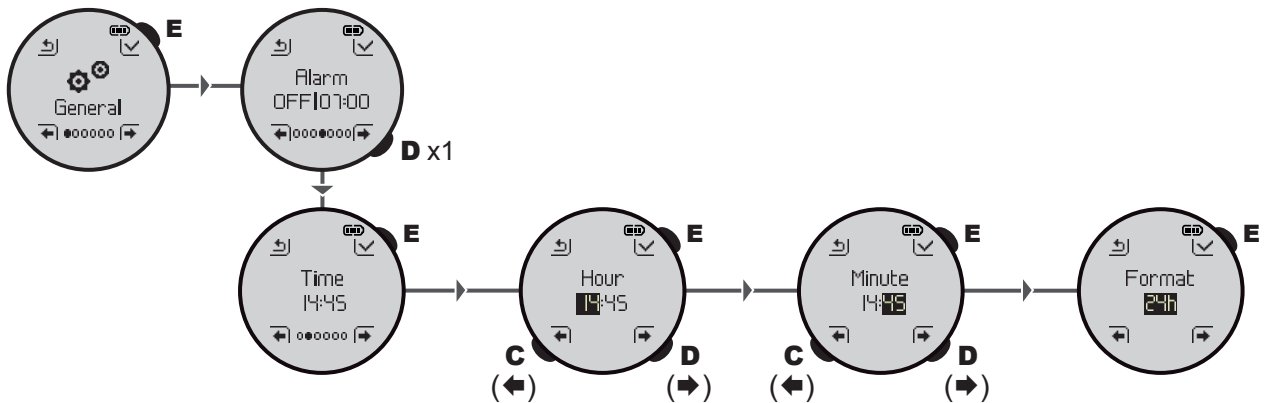
1.4 General settings

Note: The default values of the different menus are those defined when setting the device for the first time.

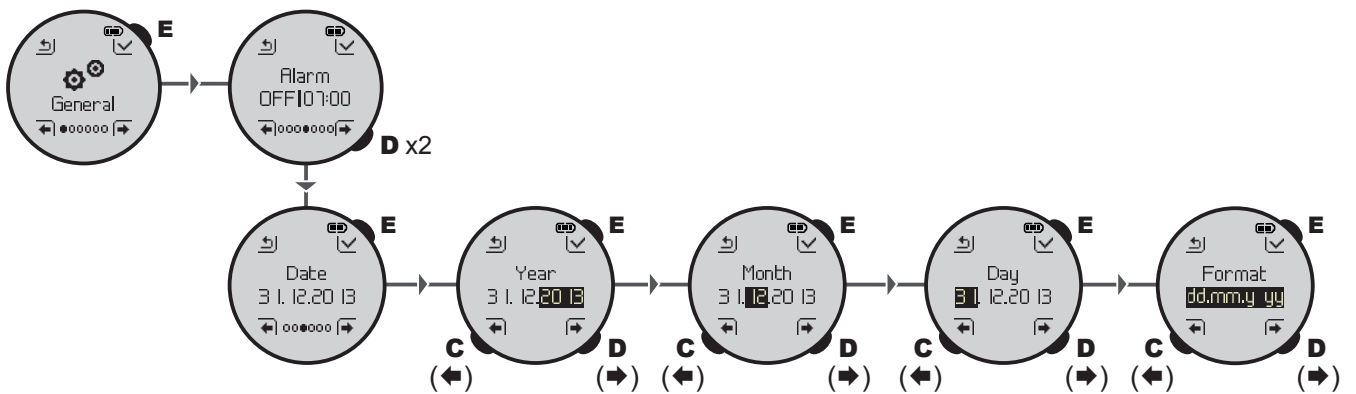
1.4.1 Setting the alarm



1.4.2 Setting the time

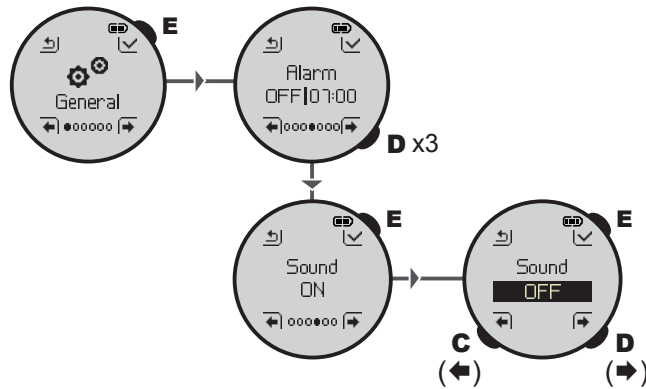


1.4.3 Setting the date

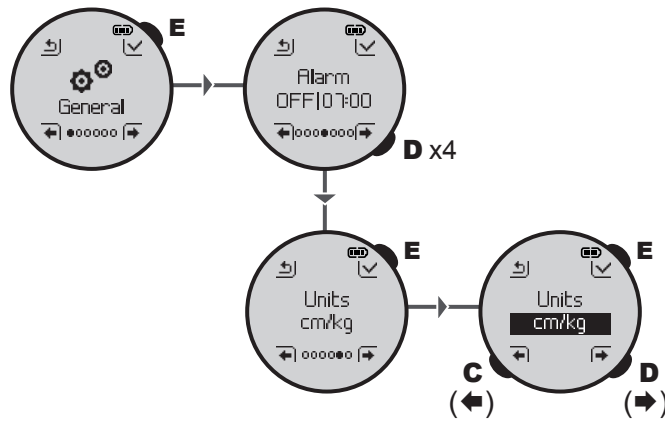


1.4.4 Setting the sound

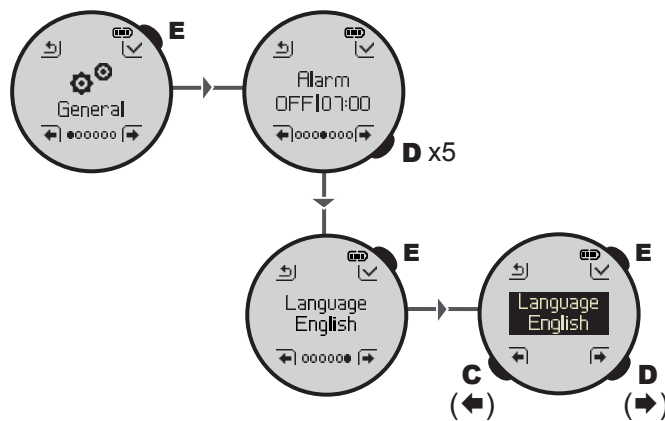
Note: This setting does not concern the alarm sound. If it is set to "**OFF**", the alarm sound will remain active.



1.4.5 Setting the units

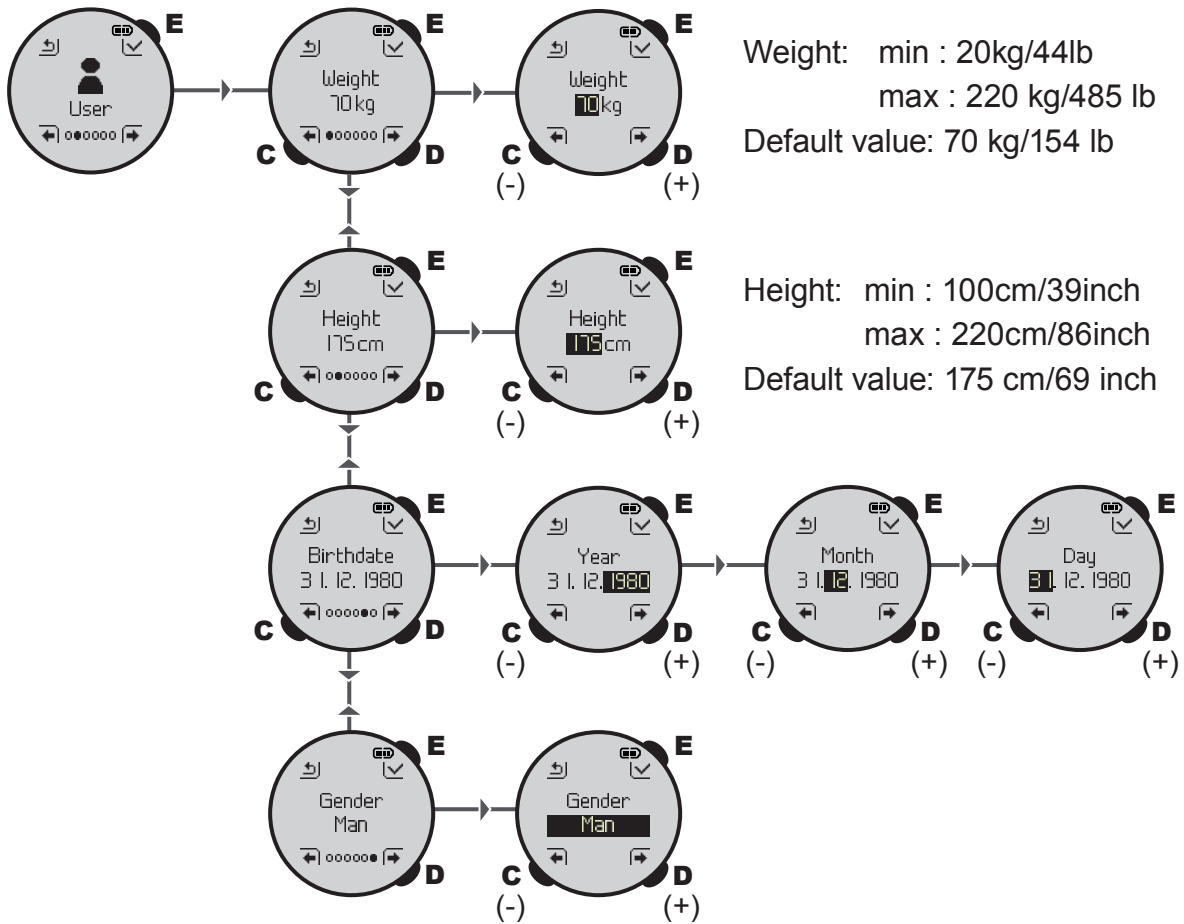


1.4.6 Setting the language



1.5 User parameters

The user's personal parameters are also synchronised automatically when you log on to your myGeonaute account (see § 6).



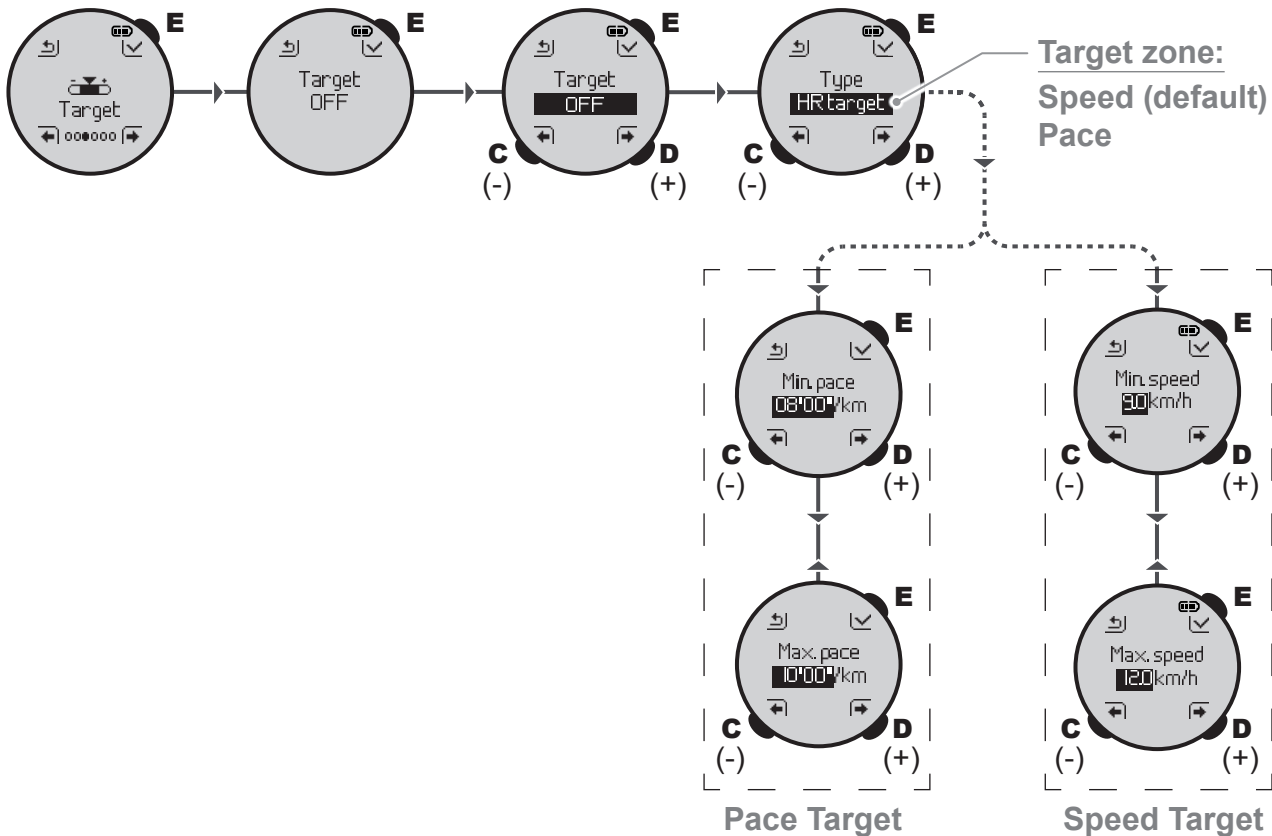
1.6 Target zone parameters

Setting a target zone helps you manage your effort by helping you stay within a determined effort zone.

There is a beep every time you exit a zone.

2 types of target zone are available: speed, pace.

When a target zone is activated, a 3th screen showing a graphic indication of your target zone is available during the activity.



Settings values of the different target zones.

Pace target zone:

- Min pace : 2' 00" to 60' 00", (default value: 10' 0")
- Max pace : 1' 00" to 59' 00", (default value: 8' 0")

Speed target zone:

- Min speed : 1 to 98km/hr, (default value: 9 km/hr)
- Max speed : 2 to 99 km/hr, (default value: 12 km/hr)

1.7 Display parameters

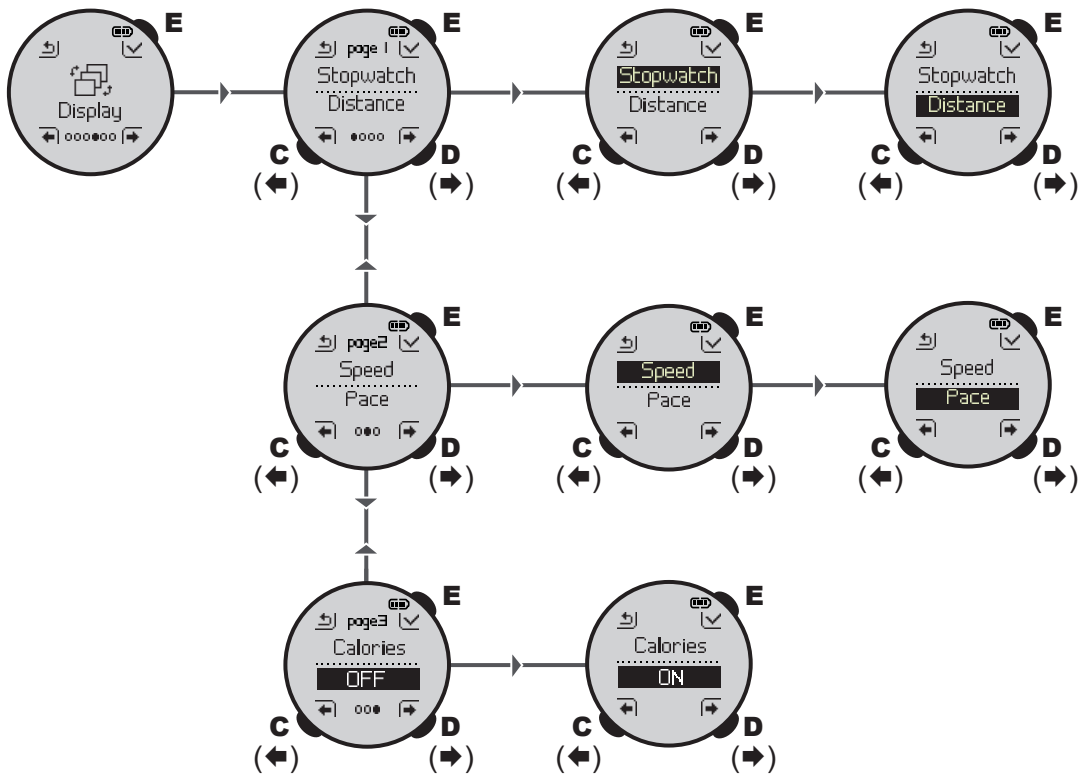
This configuration helps select the information shown during an activity. Every screen displays one or two indications defined by the user.

Note: At least one value must be selected on the 3 screens.

The size of the message adapts to the number of values selected. The display is therefore larger when a single value is selected per screen.

Example:

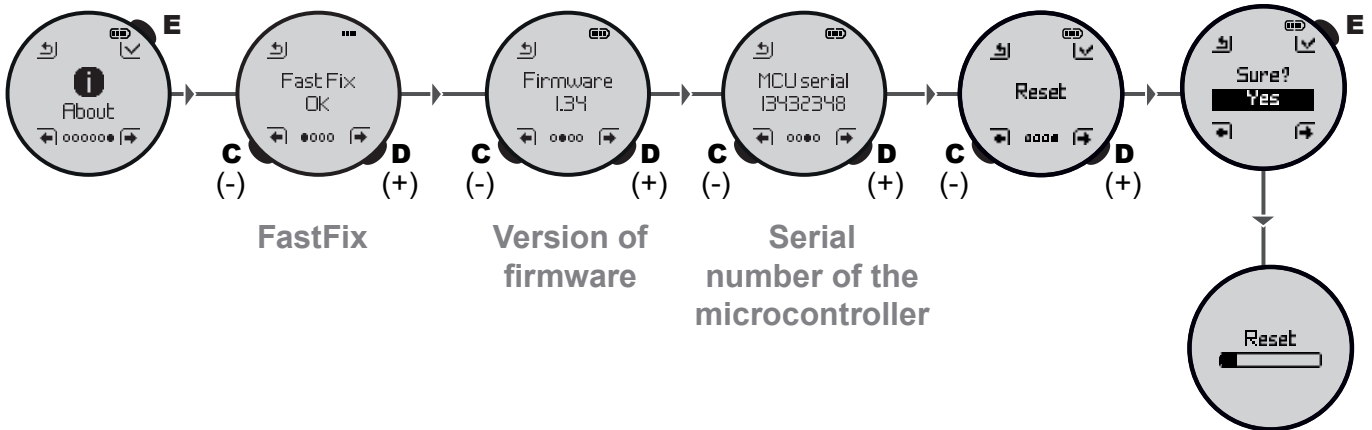
- Screen 1: Stopwatch + *Distance*,
- Screen 2: Speed + *Pace*,
- Screen 3: Calories.



List of available values:

- Stopwatch
- Instantaneous speed
- Average speed
- Instantaneous pace
- Average pace
- Calories

1.8 About



1.8.1 FastFix

Your ONmove 120 needs to detect at least 4 satellite signals to define your position.

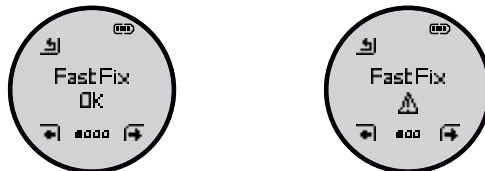
The FastFix system enables your ONmove 120 to predict the trajectory of the satellites for 7 days.

Therefore your ONmove 120 knows the exact location of these satellites even before the search is launched.

You can detect a signal within 30 seconds even if the signal is weak or if the area is partially covered.

You can see whether or not your FastFix is up to date at any time in the "About" menu.

To update your FastFix, simply synchronise your product with the ONconnect software.



1.8.2 Firmware

Firmware is the internal software of your watch. It can be updated to provide your watch with patches or new functionalities.

You are informed of the new updates when you synchronise your product with the ONconnect software.

Make sure you have the latest update to benefit from the latest patches.

1.8.3 MCU Serial

Our customer service department may ask you for this number if there is a problem with your product.

1.8.4 Reset

This function is to reset your watch. Warning: all your sessions, settings and personal parameters will be deleted.

2 USE

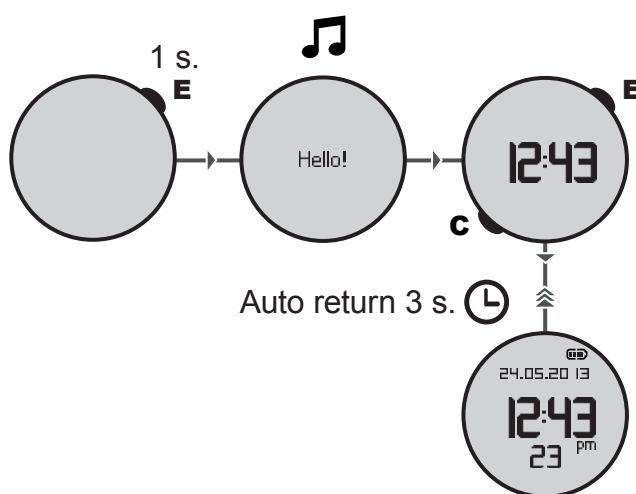
2.1 Charging

We recommend that you fully charge the ONmove 120 before using it for the first time. Full charging time is approximately 1 1/2 hours. A full charge will give you a 7 hour life span in GPS mode and 10 days in clock mode. The ONmove 120 can be charged simply by connecting it to a USB port on your computer or a 5 V-1A. USB adapter.

2.2 Watch mode

The watch mode is permanently accessible when the watch is on.

To switch on the watch, press the E button for 1 second.




2.3 Activity mode "Free"

- To access the "Free" mode, press **E** from the watch mode.

Note: When the memory of your ONmove 120 is full, a beep can be heard and the screen displays "**Memory full**". You are then invited to:

- free up memory space by deleting sessions.
- or automatically overwrite the oldest training session.

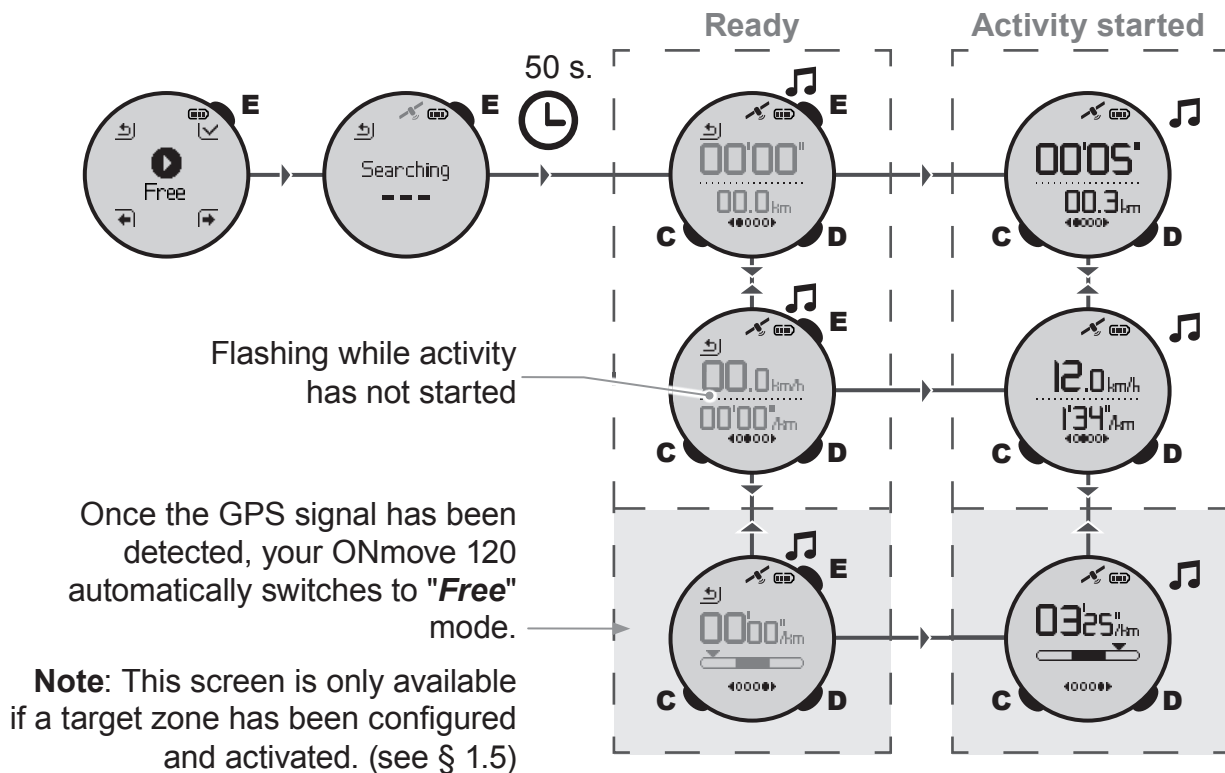
- Select the "Free" mode by pressing the **E**. button. The search for the GPS signal will launch automatically.

The icon  will flash during the search. The search for the GPS signal can take 15 seconds to 1 minute depending on the reception conditions.

When the GPS signal has been found, there is a beep.

Note: The quality of the satellite signal reception is significantly affected by the environment and movements. To facilitate reception, we recommend whenever possible that you:

- Position yourself in an open space, away from surrounding buildings and not under a tree.
- Do not move while the signal is being detected.
- To optimise the reception of the satellite signal, do not forget to update the FastFix by synchronising your product with the ONconnect software. (See § 1.8.1)

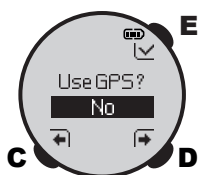


- Press **E** to start the activity; a beep can be heard.

During the activity, press **C** or **D** to modify the screen displays defined in the display parameters (see § 1.7).

2.3.1 GPS not detected

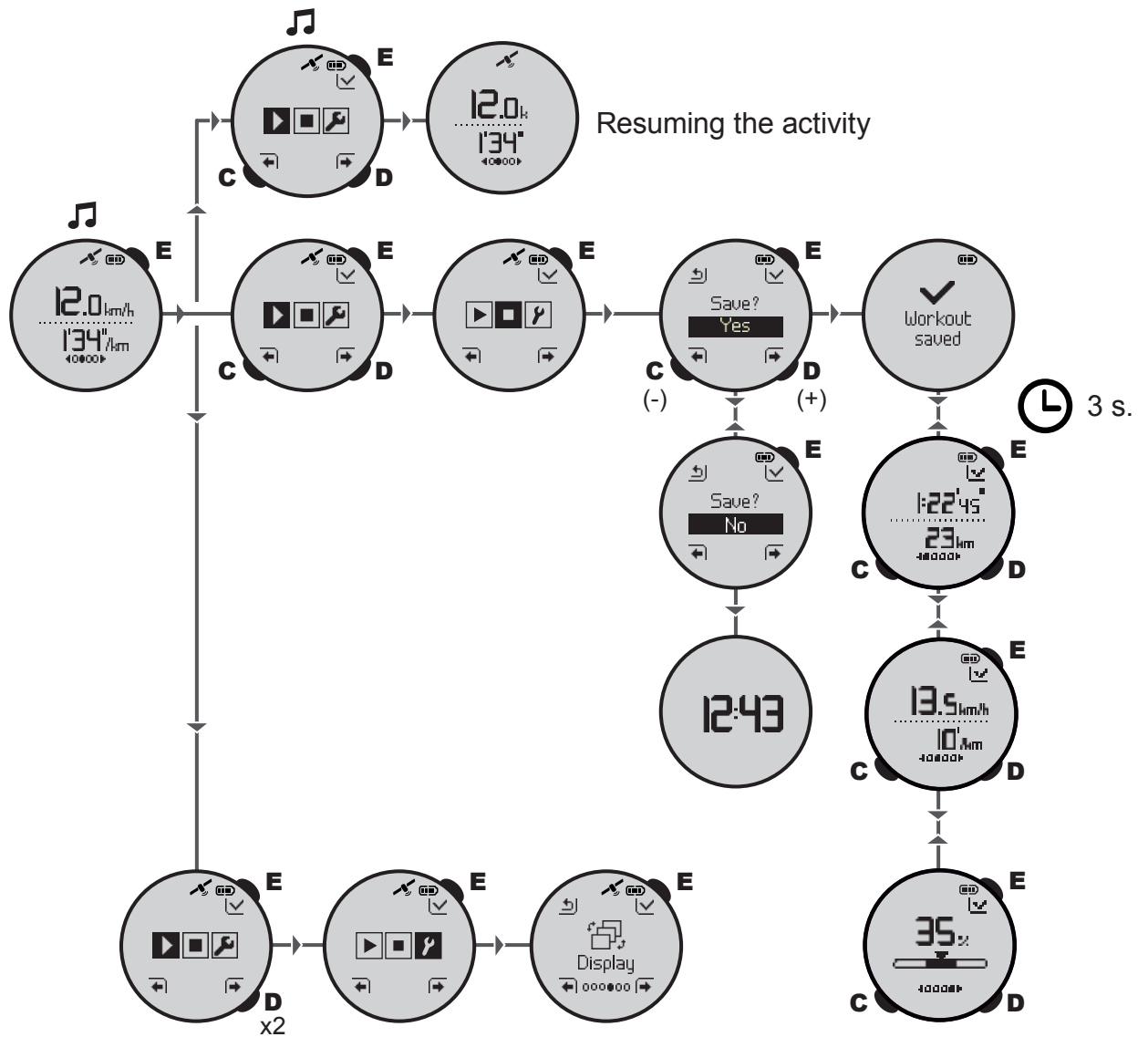
You can start the activity without a GPS. The "**Speed**", "**Pace**", "**Distance**" values and the  icon will no longer be displayed.



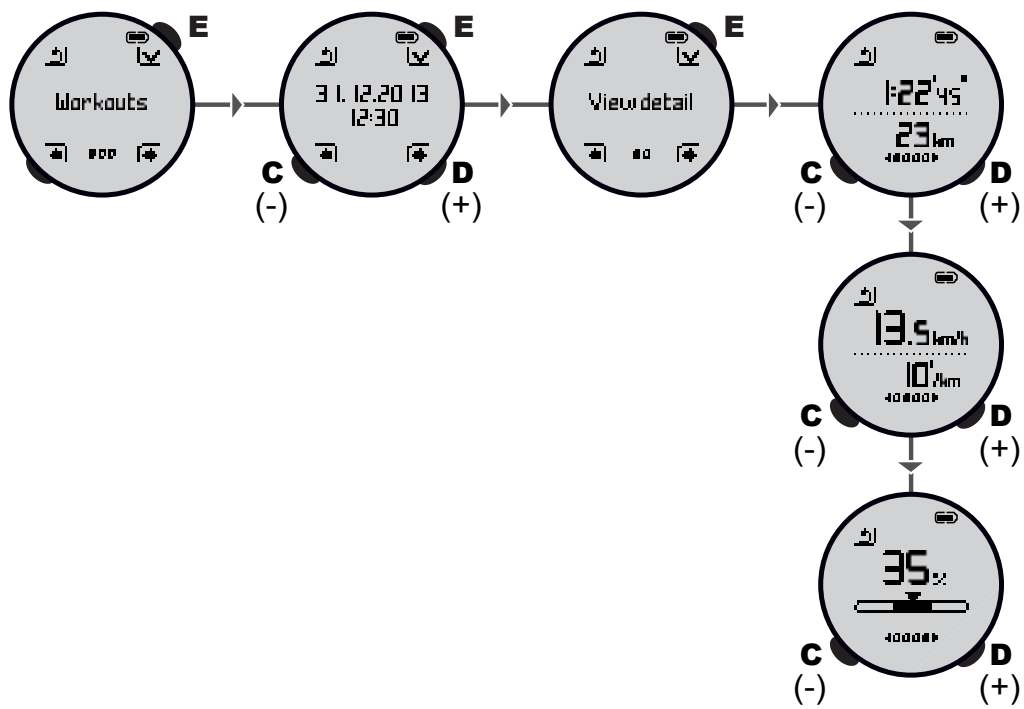
2.3.2 Stopping (or pausing) the activity

This action allows the user to:

- Save the activity
- Quit the activity
- Access the product settings



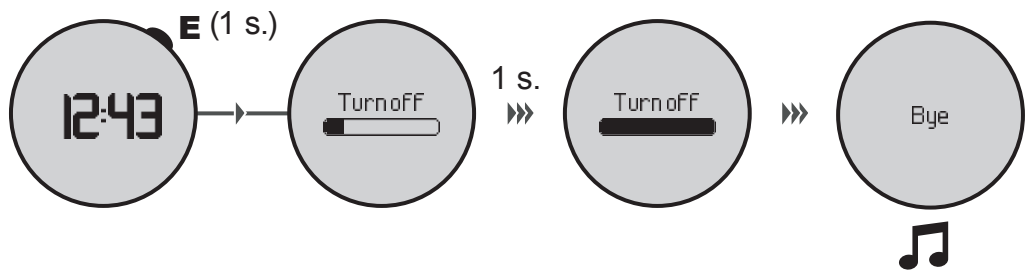
2.3.3 viewing the activity after saving



2.4 Switching off the ONmove 120

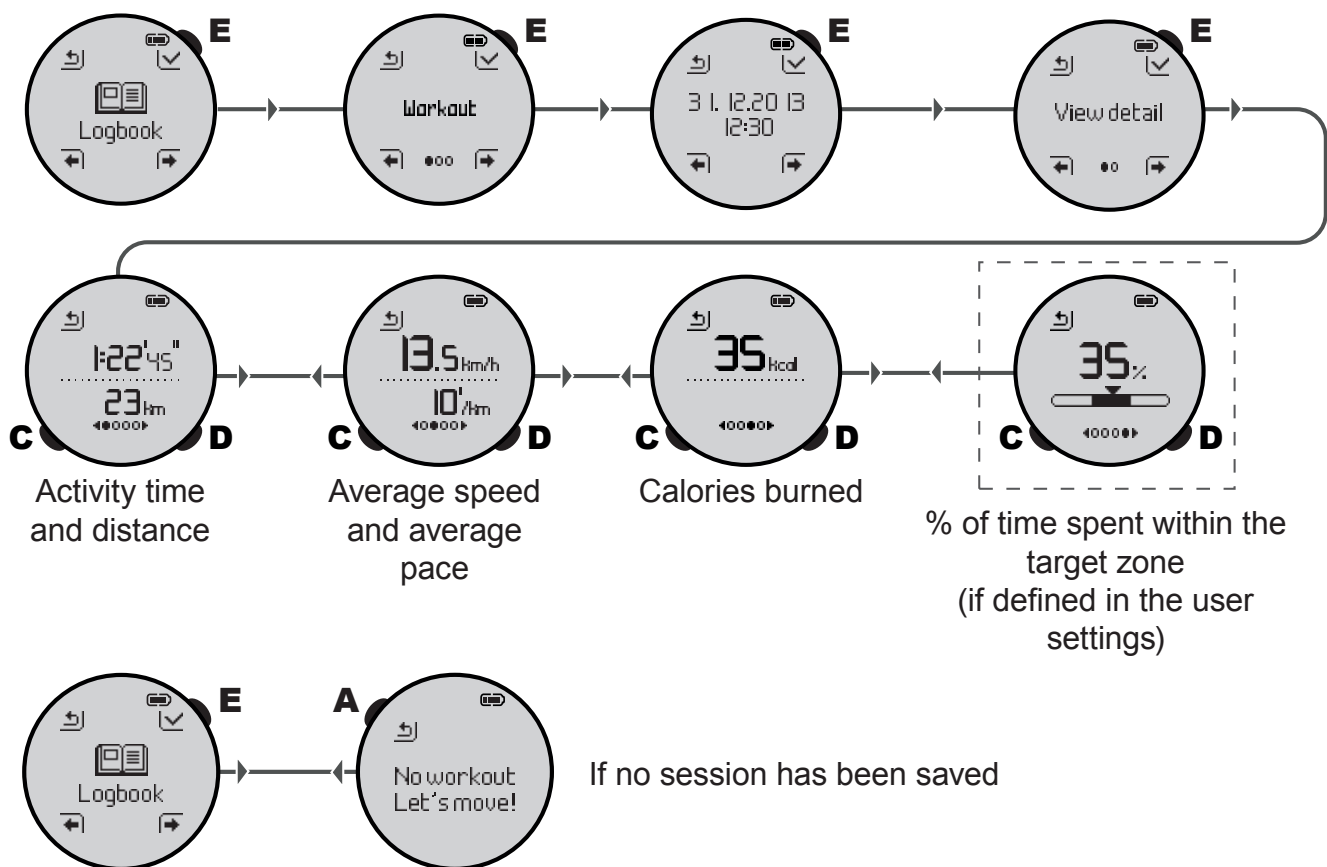
To save battery, and with the exception of specific cases (see Activity Mode), you can switch off your ONmove 120 at any time.

- Press **E** (1 second)

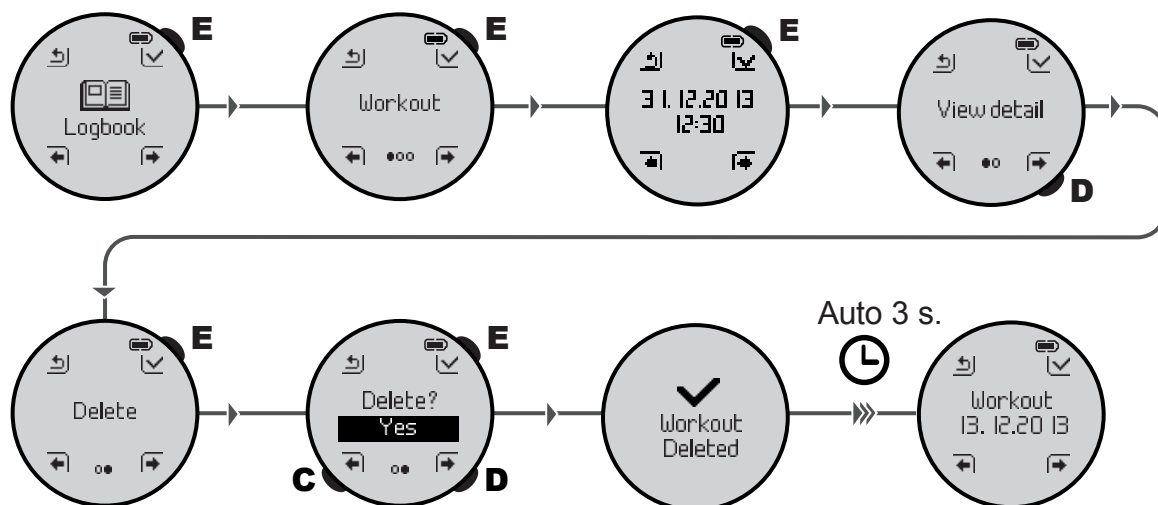


3 LOGBOOK

3.1 Session logbook



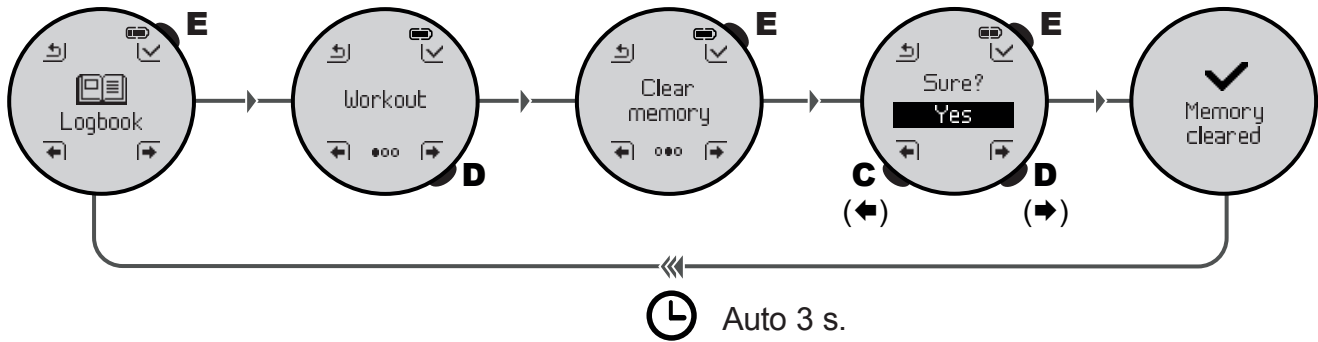
3.2 Deleting a session



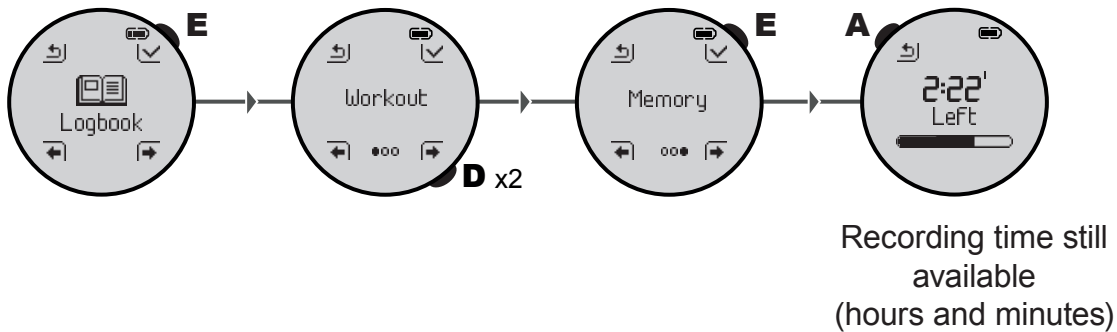
After deleting a session, the display will return to the last session saved.

- Press **A** to return to the logbook menu.

3.3 Deleting the memory



3.4 Memory status




4 MESSAGES

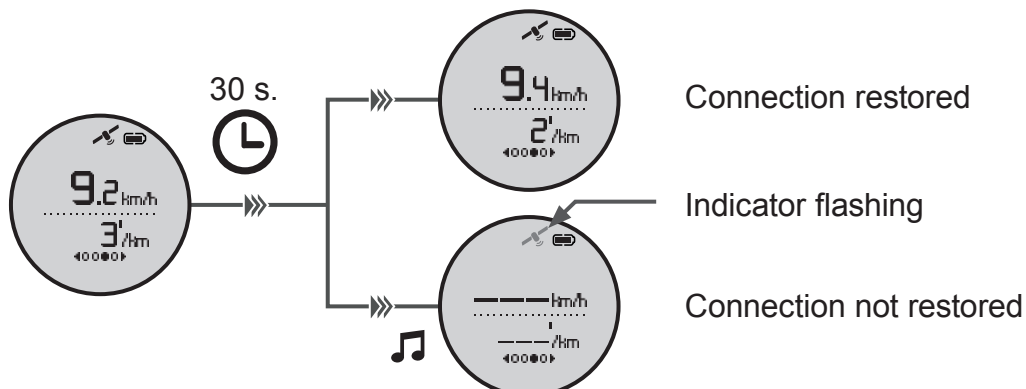
4.1 GPS signal lost

When the GPS connection is lost, a 30-second search starts automatically.

At this time, the values displayed are fixed and the indicator  flashes.

If, after 30 seconds, the connection is not restored, the screen displays < - - - > instead of the "Speed" and "Pace" values, the "Distance" display remains blocked and a beep can be heard.

The search continues automatically and the indicator  will flash until the connection is restored.



4.2 Battery level

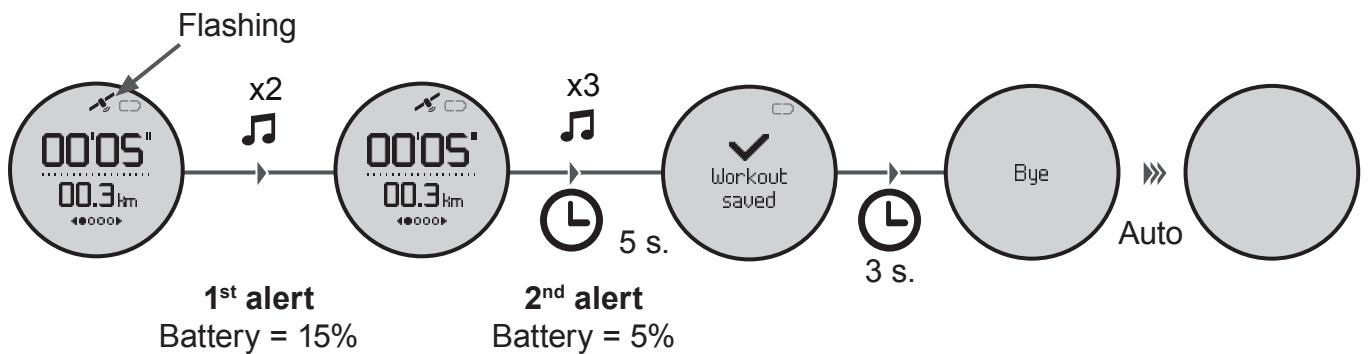
There are 3 alert levels:

- When the battery is at 15%, 2 beeps can be heard and the indicator flashes.
- When the battery is at 10%, 2 beeps can be heard.
- When the battery is at 5%, 3 beeps can be heard.

the product switches off when the battery is completely discharged.

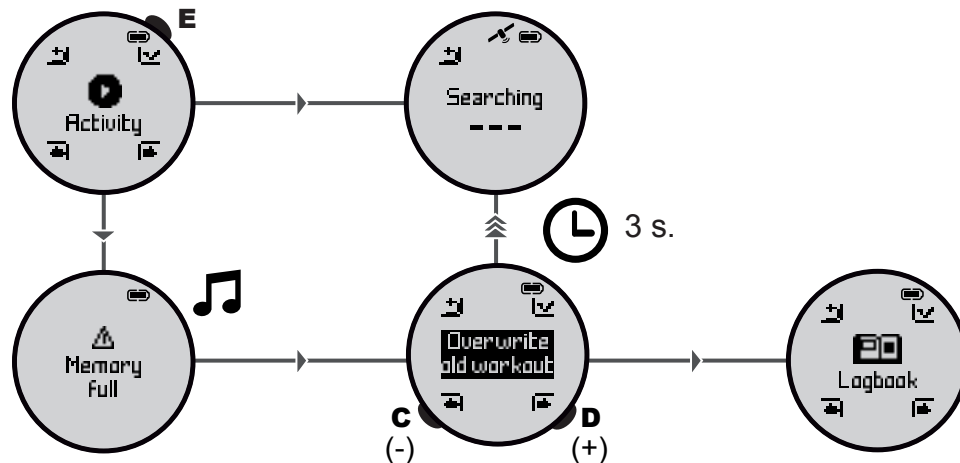
If an activity is underway, it is automatically saved in the logbook before the ONmove 120 switches off

- Recharge the battery (see § 5)

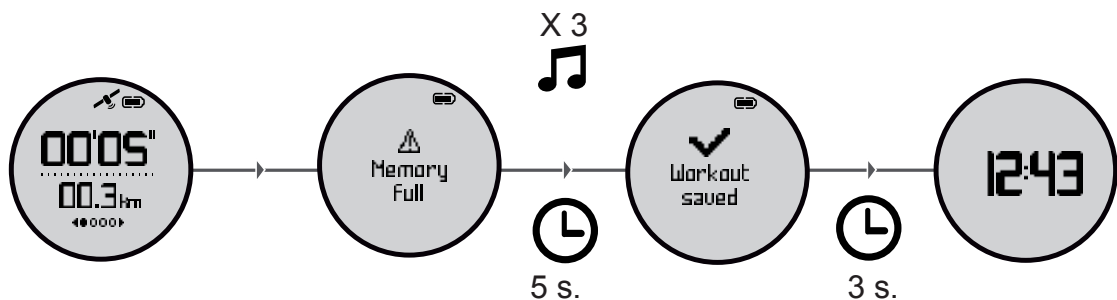


4.3 Memory full

4.3.1 Memory full before the activity



4.3.2 Memory full during the activity



5 CHARGING THE BATTERY

There are 2 ways to charge your product:

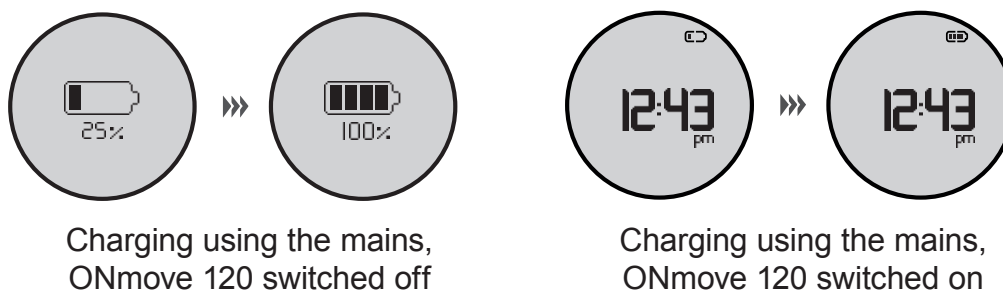
■ Computer charge:

When charging on a computer, the USB screen appears and the battery indicator is activated to show the charge level. You cannot access the different menus.

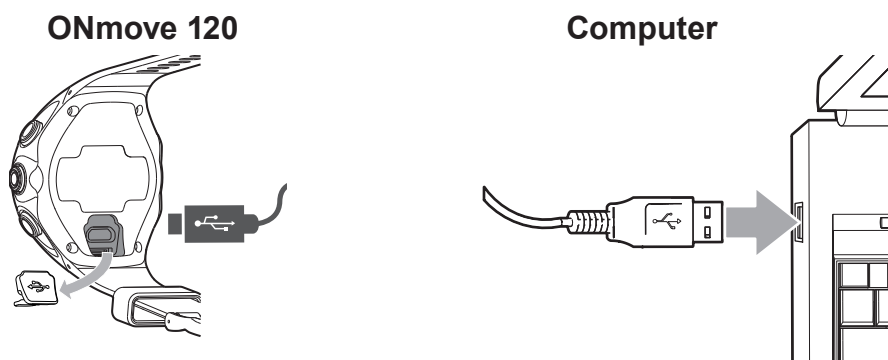


■ Charging using the mains (adapter not included) or an autonomous battery:

When charging using the mains, the battery screen is displayed to show the charge level. This charging method means the product can be used while charging.



6 TRANSFERRING AND VIEWING YOUR DATA ON "DECATHLON COACH"



- Connect your ONmove 120 to your computer and go to the following website: start.geonaute.com
- Download and install the ONconnect software in accordance with the instructions.
- Launch the ONconnect software then create your account or log on if you already have one.
- Your sessions are displayed on the ONconnect application.
- Select the sessions you wish to transfer as well as the desired sport and click on Send to "Decathlon Coach" / "MyGeonaute.com".
- Once the sessions have been sent, go to your myGeonaute.com account to view them in detail.

7 TECHNICAL CHARACTERISTICS

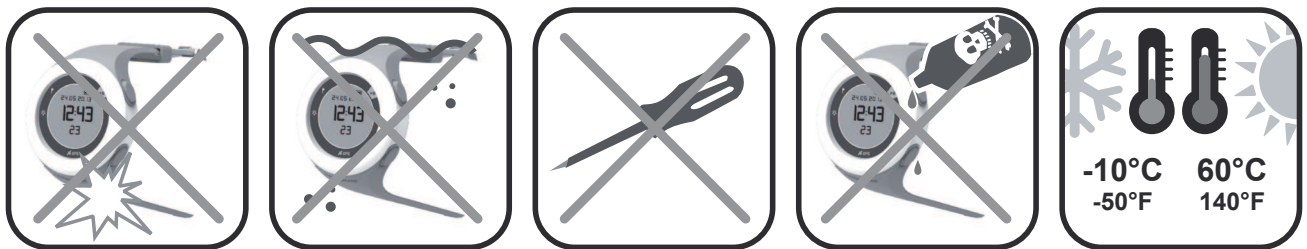
Specifications	
Weight	51g/0.1lb/1.8oz
Battery	Rechargeable, lithium ion
Watertightness	IPX7 (resistant to splashes)
Connection	Micro USB
Range	7 hours in GPS mode 10 days in watch mode
Charging time	1.5 hours

8 CONTACT US

We would like your feedback on the quality, functionality and use of our products:
support.geonaute.com

We will reply as soon as possible.

9 PRECAUTIONS FOR USE

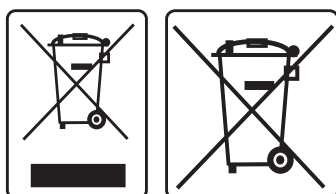


10 LEGAL NOTICES

10.1 EC declaration of conformity

CE DECATHLON hereby declares that the ONmove 120 device complies with the essential requirements and other relevant provisions of the 1999/5/EC directive.
The EC compliance declaration is available at the following web link:
<http://support.geonaute.com/en-GB/declaration-de-conformite>

10.2 Recycling



This product and the battery it contains cannot be disposed of with household waste. They must be disposed of via selective waste sorting. Take the used battery and electronic product to an authorised collection point for recycling. Recycling your electronic waste protects the environment and your health.

GEONAUTE.COM

Made in Taiwan
Fabricado em Taiwan
Произведено в Тайване
İmal edildiği yer Tayvan
台灣製造
臺灣製造
ผลิตในไต้หวัน

商标 Geonaute
以下标示仅在中国大陆地区适用
迪脉(上海)企业管理有限公司,
上海市浦东新区银霄路393号五层东侧
邮编:201204
产品等级:合格品
质检证明:合格

IMPORTADO PARA BRASIL POR IGUASPORT Ltda
CNPJ : 02.314.041/0001-88

540-0011 大阪市中央区農人橋1-1-22 大江ビル10階
ナチュラムイーコマース株式会社

台灣迪卡儂有限公司
台灣台中市408南屯區大墩南路379號
諮詢電話: (04) 2471-3612

Импортер: ООО «Октобл», 141031, Россия, Московская область,
Мытищинский район, МКАД 84-й км., ТПЗ «Алтуфьево»,
владение 3, строение 3, +7(495)6414446
для занятий спортом

TURKSPORT Spor Ürünleri Sanayi ve Ticaret Ltd.
ŞtiOsmaniye Mahallesi Çobançeşme
KoşuyoluBulvarı No: 3 Marmara Forum Garden Office
0B Blok 01 Bakırköy 34146 Istanbul, TURKEY

Ref. : 2062488

Производитель и адрес, Франция:

DECATHLON

DECATHLON - 4 Boulevard de Mons - BP 299
59665 Villeneuve d'Ascq cedex - France

